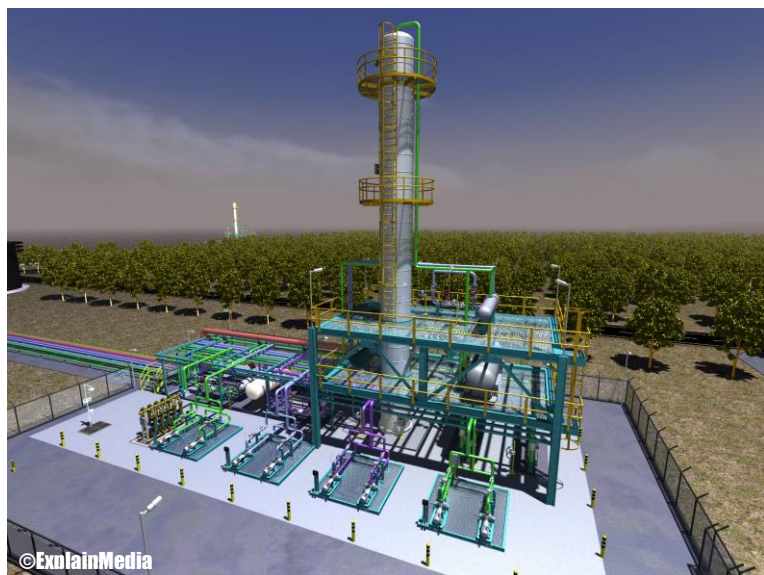


ChemE-Sports™:

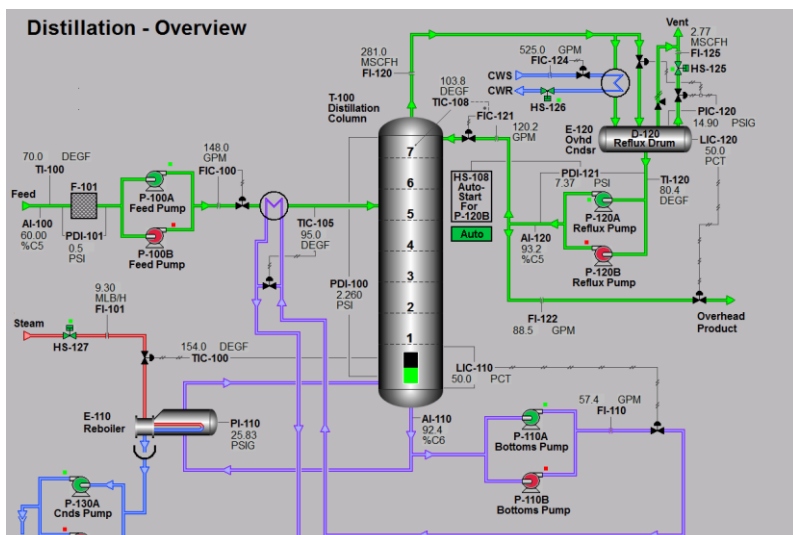
Distillation Operations Competition:

A chemical engineering optimization and safety skills competition based on binary distillation combining *Virtual Reality*



© ExplainMedia

and *Distributed Control Screen ChemE Action*



to deliver the purest *ChemE-Sports* competition on the Globe to date!

FALL 2019 AIChE ANNUAL MEETING AND STUDENT CONFERENCE

Sunday 10 November 2019
Orlando, FL Conventions Center
(Competition Space to be announced)

8:30 AM Event kick-off
9:00 AM *ChemE-Sports*
Distillation Operations Begins.

Competitors will be assigned a competition time prior to the day of operation with opportunity for call back for the Finals.

The call for ChemE Teams of 2-4 competitors is open now!

Sign up now at the email or number below!

mgarvey@simulation-solutions.com
732 389 5400

SPONSORS

Simulations Solutions Inc.
and Columbia University Department of Chemical Engineering



CU ChemE Lions
Roar, "*ChemE-Sports*!"